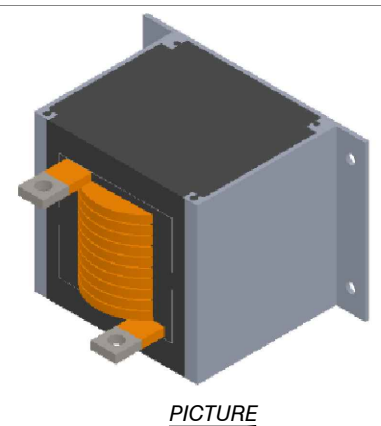
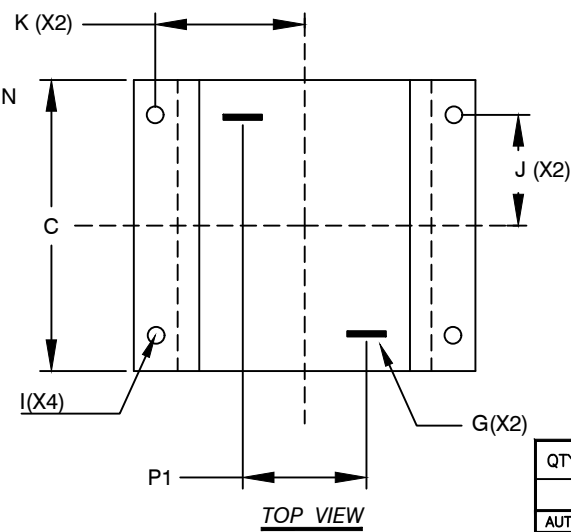
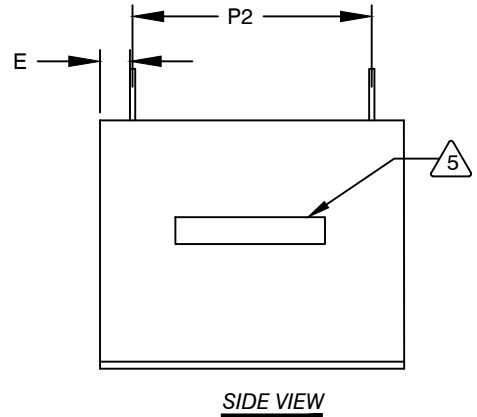
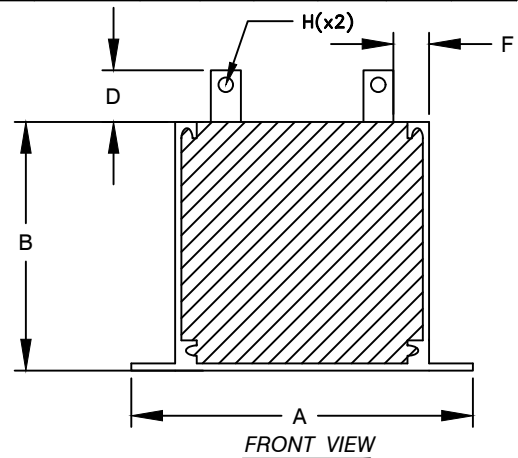
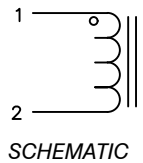


The information contained in this drawing is the sole properties of Coil Winding Specialist, Inc. Any reproduction in part or whole without permission of Coil Winding Specialist, Inc. is prohibited.

DIMENSIONAL TOLERANCES INCHES [MM]												
A	B	C	D	E	F	G(X2)	H(X2)	I(X4)	J	K	P1	P2
MAX	MAX	MAX	TYP	TYP	TYP	TYP	TYP	MIN	TYP	TYP	TYP	TYP
4.60 [116.92]	2.94 [74.79]	3.46 [87.76]	1.00 [25.40]	0.49 [12.45]	0.67 [17.10]	0.16x0.51 [4.00x13.00]	0.27 [6.86]	0.18 [4.60]	1.15 [29.21]	1.98 [50.29]	1.49 [37.85]	2.01 [51.05]

REVISION HISTORY						
REV	ECN	DESCRIPTION	SIGN & DATE			
			BY	DATE	CHK	DATE
A		PRODUCTION RELEASE	TN	07/27/2020	JL	07/27/2020



DC BIAS TABLE

DC BIAS	L (REF)
0A	20uH
10A	20uH
20A	20uH
40A	20uH
60A	20uH
80A	20uH
100A	20uH
140A	19uH
160A	18uH
180A	18uH
200A	17uH
240A	16uH
260A	16uH
280A	15uH
300A	14uH
320A	13uH
340A	12uH
360A	11uH
400A	10uH

- 6 BUILT TO RoHS COMPLIANCE AND LEAD FREE.
- 5 MARK PART NUMBER, REVISION AND DATE

4 CONSTRUCTION

WEIGHT: 2200 GRAMS APPROX.
 MAX INDUCTOR TEMP RATING: 200°C
 RECOMMENDED OPERATING TEMP: -40°C TO 85°C
 HI-POT TEST FOR WINDING TO CORE ISOLATION: 1000VDC @ 2mA, 1 MIN
 INTERWINDING CAPACITANCE = 12.65pF TYP @ SRF
 |Z| = 6.7 KILLO-OHMS TYP @ SRF
 SRF = 10MHz TYP
 RATED CURRENT: 400 AMPS WITH FORCED AIR FLOW
 DCR = 0.8 MILLI-OHMS MAX.
 DC BIAS: SEE TABLE ON THE RIGHT
 L = 51uH ± 15%, MEASURED AT 10 KHz, 0.25V, ZERO DC BIAS
 SPECIFICATIONS @ 25°C:

- ENCLOSURE: ALUMINUM METAL
- WIRE: UL RECOGNIZED 200°C RATED MAGNET WIRE
- 2 CORE: POWDERED CORE
- INSULATION CLASS 200°C REQUIRED
- 1 MATERIAL: UL RECOGNIZED 94V-0 FOR FLAMMABILITY

ANY TOLERANCE. THIS DIM. CAN VARY A LITTLE FROM PART TO PART.
 "TYP" IN DIM. TOL. TABLE REFERS TO A NON-CRITICAL TYPICAL (AVERAGE) DIM. WITHOUT
 NOTES: UNLESS OTHERWISE SPECIFIED, READ FROM BOTTOM UP.
 CAGE CODE: 5DME2

UNLESS OTHERWISE SPECIFIED
 DIMENSIONING AND TOLERANCE PER ANSI Y14.5M
 ALL DIMENSIONS ARE IN INCHES AND [MILLIMETERS].
 TOLERANCE INCHES:
 .XXX±.010 .XX±.020 <±0°30'
 TOLERANCE METRICS:
 .XXX±.25+ .XX±.51 <±0°30'
 ANGLE PROJECTION
 DO NOT SCALE DRAWING

QTY	CODE IDENT	MFG. P/N	DESCRIPTION	ITEM NO.
PARTS LIST				
AUTOCAD		X		
SOLIDWORKS				
SIGN		DATE	www.coilws.com sales@coilws.com	
DATE			Coil Winding Specialist, Inc. 353 W. GROVE AVE ORANGE, CA 92865	
DRAWN	TN	07/25/2020	TITLE: High Current Helical Inductor 20 uH, 400 Amps, Horizontal	
CHECKED	JM	07/27/2020		
ENGR.	JL	07/27/2020		
APPR.	JL	07/27/2020		
SIZE	DWG. NO.	A ELCEK38A22-200M-400AH		REV
SCALE	NOT_TO_SCALE			A
				SHEET 1 OF 1